

Order Quotation

Invoicing Details	Shipping Details
Company name: _____ Delivery date required: ___ / ___ / ___ Delivery address: _____ P.Code: _____ Town: _____ Tel.: _____ Fax: _____ # Order: _____ Date of the order: ___ / ___ / ___	Ship to: _____ _____ <p style="text-align: center;">CUSTOMER STAMP AND SIGNATURE</p>

Pro Medicare srl grants **24 months** warranty on production defects from the date of the first put into service and **12 months** on covers and components subjected to wearing. Warranty is void if the product is used in any other way than stated in the Instruction Manual.

Note: Any request for variation in dimensions, materials and type compared to the standard does not have **CE** marking, therefore the professional user becomes the manufacturer and has the obligation to draw up the technical documentation of the device (this is valid for the sections of the sheet with the letter **W**).

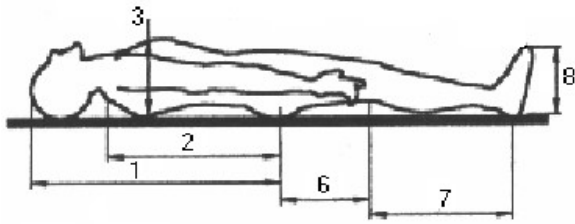
Images are purely illustrative and may not fully reflect reality.

Specifications of the wheelchair on which to install the Versa System

<input type="checkbox"/> on Adacta Frame Model _____ Size _____ Serial number (in case of renewal) _____			
<input type="checkbox"/> on other manufacturer frame			
AB = _____ (outside tubes)		Seat tube diameter	<input type="checkbox"/> 20 <input type="checkbox"/> 22 <input type="checkbox"/> 25
CD = _____		Backrest tube diameter <i>upper part</i>	<input type="checkbox"/> 20 <input type="checkbox"/> 22 <input type="checkbox"/> 25
EF = _____ (outside tubes)		Backrest tube diameter <i>lower part</i>	<input type="checkbox"/> 20 <input type="checkbox"/> 22 <input type="checkbox"/> 25
DF = _____		<input type="checkbox"/> AD KIT for seat (if round tube)	<i>Example of an adaptability kit</i>
DG = _____		<input type="checkbox"/> AD KIT for backrest (if round tube)	
NOTE: In case of orders of non-standard Versa Positioning Systems to be mounted on other brand wheelchairs the AD KIT (tracks, clamps and collars) is not needed when all the required measures are filled in the form. In case of orders of standard Versa Positioning Systems, then it is necessary to buy the AD KIT.			
<input type="checkbox"/> on power wheelchair			
AB = _____ (outside tubes)		Seat tube diameter	<input type="checkbox"/> 20 <input type="checkbox"/> 22 <input type="checkbox"/> 25
CD = _____		Backrest tube diameter <i>upper part</i>	<input type="checkbox"/> 20 <input type="checkbox"/> 22 <input type="checkbox"/> 25
EF = _____ (outside tubes)		Backrest tube diameter <i>lower part</i>	<input type="checkbox"/> 20 <input type="checkbox"/> 22 <input type="checkbox"/> 25
DF = _____		<input type="checkbox"/> AD KIT for seat (if round tube)	<i>Example of an adaptability kit</i>
DG = _____		<input type="checkbox"/> AD KIT for backrest (if round tube)	
NOTE: In case of orders of non-standard Versa Positioning Systems to be mounted on power wheelchair with round tubes the AD KIT (tracks, clamps and collars) is not needed when we receive the wheelchair with freight paid by the sender. When the power wheelchair has square tube section and Versa Positioning Systems are not standard the purchase of additional tubes for mounting operations is needed. In case of orders of standard Versa Positioning Systems, then it is necessary to buy the AD KIT (tracks, clamps and collars) either on square and round tube sections.			
<input type="checkbox"/> on wheelchair certified for transportation in a vehicle			
Backrest mounting hardware with 4 securing clamps - Seat mounting hardware with 2 securing clamps and 2 interlocking clamp (Note: It is strictly advised the use of a headrest correctly positioned)			
<input type="checkbox"/> Lateral tilt			
<input type="checkbox"/> RH	_____ (cm)	right side higher	
<input type="checkbox"/> LH	_____ (cm)	left side higher	
NOTE: The quotation and realization of the lateral tilt will be done only if all measurements as well as the weight of the patient are correctly reported. The lateral tilt is available only on ADACTA-VERSA combination.			

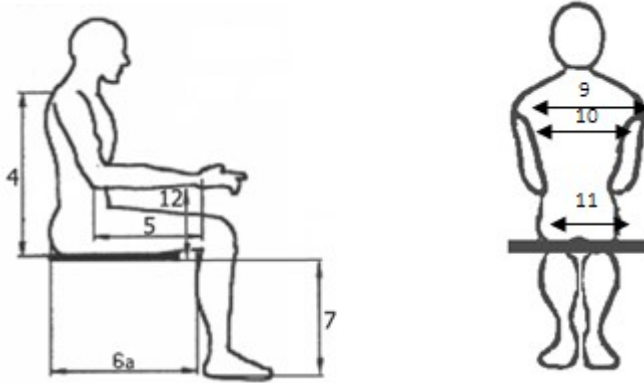
DETECTION OF ALL MEASUREMENTS

The following measurements* will be taken in supine position:



	LH side	RH side
1		
2		
3		
6		
7		
8		
H		
Head circumference (cm)		
Weight (kg)		

The following measurements* will be taken in sitting position:



	LH side	RH side
4		
5		
6a		
7		
9		
10		
11		
12		

*GUIDELINES FOR THE DETECTION OF PATIENT'S MEASUREMENTS

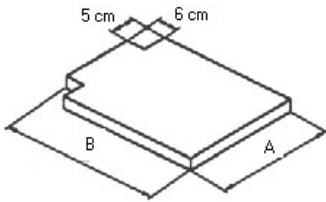
1	Measurement from the greater trochanter to the head
2	Measurement from the greater trochanter to the apex of the shoulders
3	Depth of the thorax (useful for the length of the thoracic supporting pads)
4	Distance from the plane of the seat to the shoulders
5	Length of the forearm (elbow-wrist measurement useful for the armrest length)
6	Measurement from the greater trochanter to the popliteal space
6a	Distance from the backrest plane to the popliteal space (useful for the depth of the seat)
7	Measurement from the popliteal space to the heel (useful for the footrests height)
8	Length of the feet
9	Width of the shoulders (useful for the width of the backrest)
10	Width of the thorax (useful for the width adjustments of the thoracic supports)
11	Width of the pelvis (useful for the width of the seat)
12	Distance from the armrest to the seat (useful for the height of the armrest)
Weight	(Useful for the barycentre)

SEAT

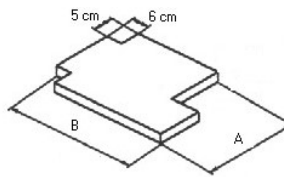
 with wooden base and attachments

 removable from the wooden seat base
(seat construction base made of polyethylene foam; no attachments)

1. Specify the shape

 Standard seat shape


Note: can be combined with all padding

 Asymmetric seat shape


Note: can be combined with all padding except for the foam in place

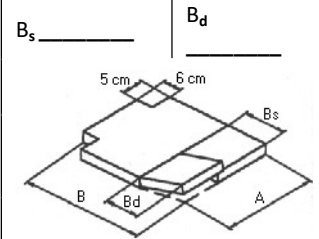
Padding shape

 Hip dislocation

 Pelvic rotation

 Anterior split seat shape

Indicate the length of the cut



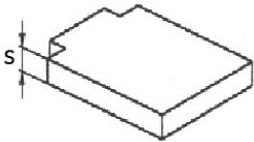
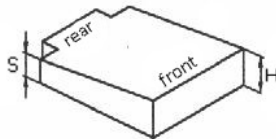
Note: can be combined with the flat padding only

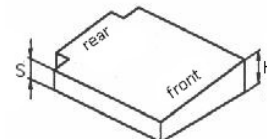
2. Specify the size

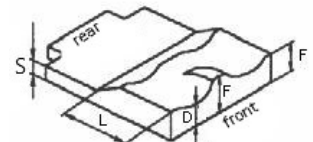
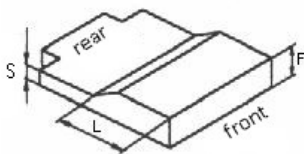
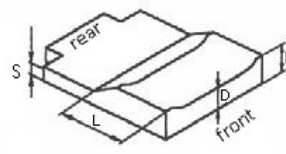
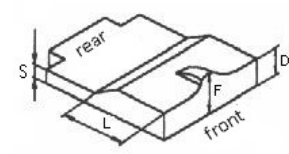
	<input type="checkbox"/> US	<input type="checkbox"/> XXS	<input type="checkbox"/> XS	<input type="checkbox"/> XS1	<input type="checkbox"/> S	<input type="checkbox"/> M	<input type="checkbox"/> M1	<input type="checkbox"/> L	<input type="checkbox"/> XL	<input type="checkbox"/> W
A Width	30 <small>(from 20 to 30)</small>	36 <small>(from 26 to 36)</small>	36 <small>(from 26 to 36)</small>	39 <small>(from 29 to 39)</small>	42 <small>(from 32 to 42)</small>	42 <small>(from 32 to 42)</small>	45 <small>(from 35 to 45)</small>	48 <small>(from 38 to 48)</small>	48 <small>(from 38 to 48)</small>	
B Depth	38 <small>(from 32 to 38)</small>	38 <small>(from 32 to 38)</small>	42 <small>(from 36 to 42)</small>	44 <small>(from 38 to 44)</small>	44 <small>(from 38 to 44)</small>	50 <small>(from 44 to 50)</small>	50 <small>(from 44 to 50)</small>	44 <small>(from 38 to 44)</small>	50 <small>(from 44 to 50)</small>	

NOTE: The values between brackets are referred to the minimum and maximum adjustments of the width by using the "B" type bracket, and the adjustments of the depth through the notches on the seat. (SEE THE BRACKETS TABLE). All measurements are expressed in centimeters.

3. Specify the padding

 Flat

 Wedge

 anterior
 posterior

 Lateral wedge

 right
 left

 Anatomic

 Anti-thrust

 Anti-thrust with adductor

 Anti-thrust with abductor


4. Indicate the type of fixing of the wedges to the seat

 glue

 hook and loop

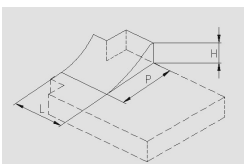
Shape of the multi-adjustable wooden seat base with SKY cover:

(the mounting hardware is included; for the size/dimensions of the standard/asymmetric wooden seat base, please, fill the the form regarding the shape and the size of the seat)

 Standard

 Asimmetric

SEAT PADDING CUSTOMIZATIONS

 Posterior wedge/Lateral hip support


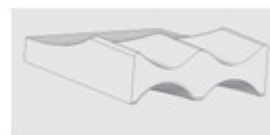
H _____

P _____

L _____

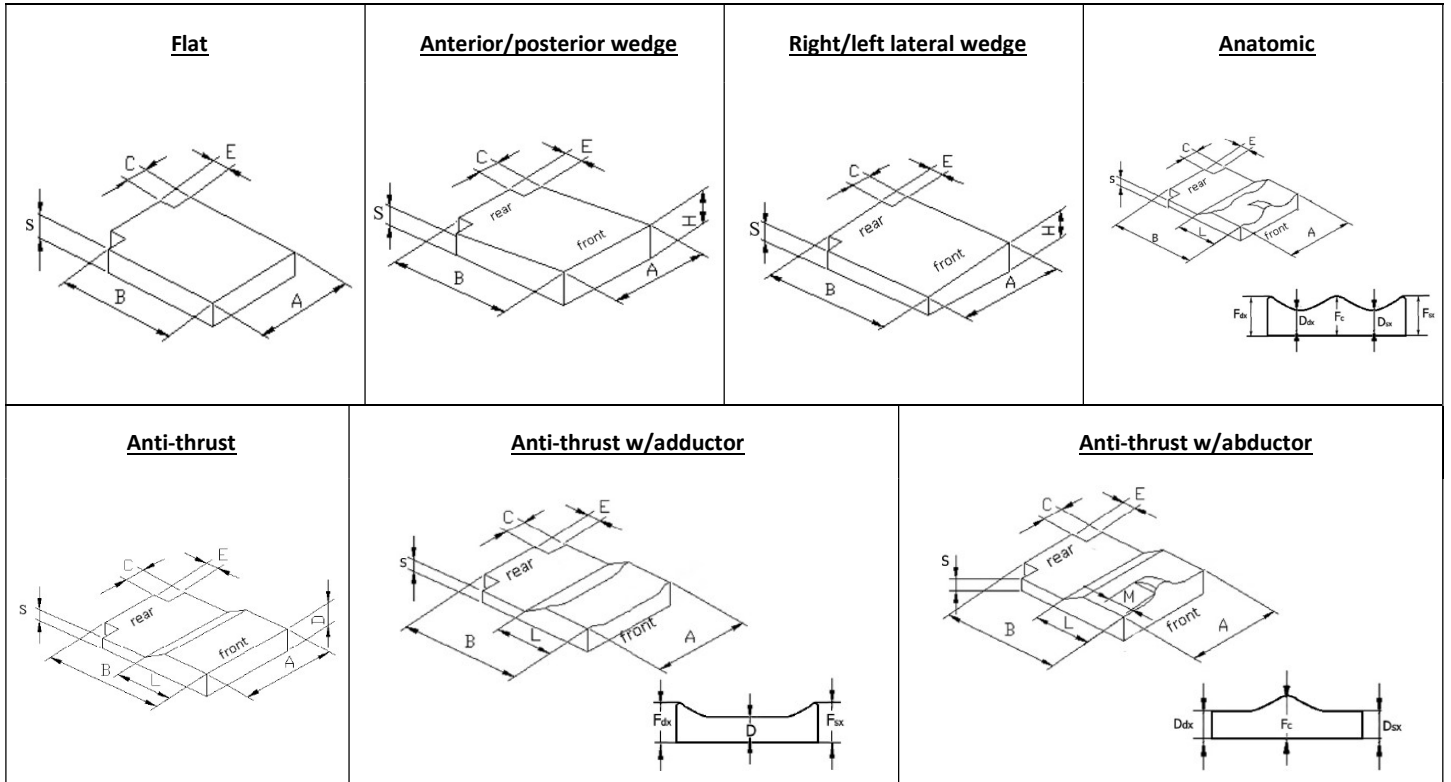
 right
 left

 fixed
 removable

 Front notches for flexed knees

 right
 left

 Depth adjustment of the pre-ischial block (Only for anti-thrust and anatomic padding)

SEAT PADDINGS



Characteristic Dimensions of the seats (expressed in cm)

Note: the below sizes and dimensions are referred to the finished product including the padding

Misure	US	XXS	XS	XS1	S	M	M1	L	XL
A	30	36	36	39	42	42	45	48	48
B	38	38	42	44	44	50	50	44	50
C	5	5	5	5	5	5	5	5	5
D	9	9.5	9.5	9.5	12.5	12.5	12.5	12.5	12.5
D _{RH}	9	9.5	9.5	9.5	12.5	12.5	12.5	12.5	12.5
D _{LH}	9	9.5	9.5	9.5	12.5	12.5	12.5	12.5	12.5
E	6	6	6	6	6	6	6	6	6
F _C	13	14	14	14	17	17	17	17	17
F _{RH}	13	14	14	14	17	17	17	17	17
F _{LH}	13	14	14	14	17	17	17	17	17
L	16	16	18	19	19	24	24	19	24
M	10	11	12	13	13	15.5	15.5	13	15.5
S	6	6	6	6	8	8	8	8	8
H	8	8.5	8.5	11	11	12	12	11	12

Report the difference of value with respect to the standard shown above (W)

		<u>Standard Padding type and thickness</u>		from US to XS1	from S to XL					
A	=	F _C	=		4	Breathable Foam	1 cm	1 cm		
B	=	F _{RH}	=				3	Antidecubitus foam	3 cm	4 cm
C	=	F _{LH}	=				2	Bearing foam	2 cm	3 cm
D	=	L	=				1	Plywood/ Polyethylene foam	1.2/1.5 cm	1.2/1.5 cm
D _{RH}	=	M	=							
D _{LH}	=	S	=							
E	=									

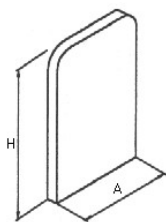
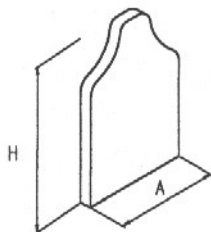
BACKREST

 with wooden base and attachments

 removable from the wooden seat base

(backrest construction base made of polyethylene foam; no attachments)

1. Specify the shape

 Standard backrest shape

 Scapular cut-outs backrest shape

 I or C backrest shape

 I

 C (please, fill in the side of interest only)


	RH side	LH side
D		
T		
A		
E		

Note: Can be combined with all padding

Note: Can be combined with all padding except the foam in place

Note: Can be combined with all padding

2. Indicate the position of the headrest mounting holes

 standard

 not centred

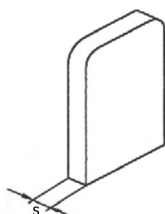
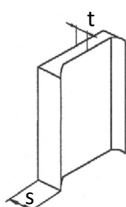
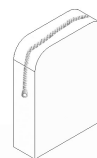
 on the right
 on the left

3. Specify the size

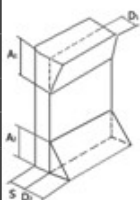
	<input type="checkbox"/> US	<input type="checkbox"/> XXS	<input type="checkbox"/> XS	<input type="checkbox"/> XS1	<input type="checkbox"/> S	<input type="checkbox"/> M	<input type="checkbox"/> M1	<input type="checkbox"/> L	<input type="checkbox"/> W
A Width	30 <small>(from 20 to 30)</small>	36 <small>(from 26 to 36)</small>	36 <small>(from 26 to 36)</small>	39 <small>(from 29 to 39)</small>	42 <small>(from 32 to 42)</small>	42 <small>(from 32 to 42)</small>	45 <small>(from 35 to 45)</small>	48 <small>(from 38 to 48)</small>	
H height	38 <small>(from 38 to 46)</small>	38 <small>(from 38 to 46)</small>	42 <small>(from 42 to 48)</small>	46 <small>(from 46 to 52)</small>	46 <small>(from 46 to 52)</small>	50 <small>(from 50 to 56)</small>	52 <small>(from 52 to 58)</small>	50 <small>(from 50 to 56)</small>	

NOTE: The values between brackets are referred to the minimum and maximum adjustments of the width by using the "B" type brackets, and the adjustment of the height by sliding the backrest attaching hardware on the back canes. (SEE THE BRACKETS TABLE). All measurements are expressed in centimeters.

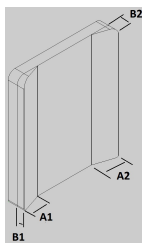
4. Specify the padding

 Flat

 Contoured

 Foam in place pre-arranged backrest (W)

 soft
 medium
 semi-rigid

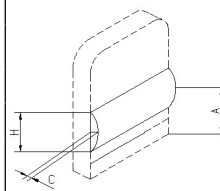
Backrest padding customizations (W)

 Superior/inferior wedge

 Superior

 $A_1 = \text{___} D_1 = \text{___}$
 Inferior

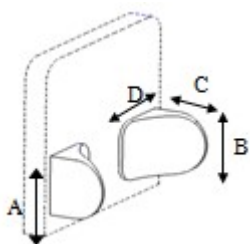
 $A_2 = \text{___} D_2 = \text{___}$
 Right/Left wedge

 right

 $A_1 = \text{___}$
 $B_1 = \text{___}$
 left

 $A_2 = \text{___}$
 $B_2 = \text{___}$
 Lumbar Support

 Indicate if: removable fixed

cm	<input type="checkbox"/> XXS	<input type="checkbox"/> XS	<input type="checkbox"/> M	<input type="checkbox"/> W
C	2	2	2.5	
H	9	11	12	

Indicate the distance from the bottom of the backrest to lumbar support maximum pushing point: A: _____

 Lumbar contoured customised wedges (please indicate the size and the type of wedge)


cm	RH	LH
A		
B		
C		
D		

 Lumbar containment insert
 RH side LH side

 Lumbar pushing insert
 RH side LH side

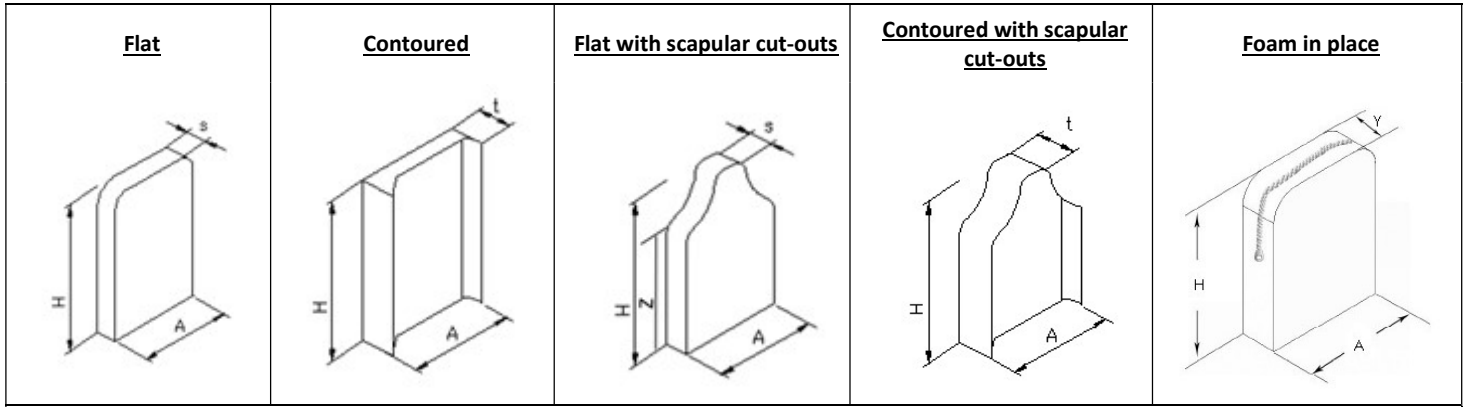

A: positioning wedge from his superior border to backrest's inferior; B: height; C: depth; D: width

5. Indicate the type of fixing of the wedges to the backrest

 glue

 hoop and loop

BACKREST PADDINGS



Characteristic dimensions of the backrests (in cm)

Note: The below sizes and dimensions are referred to the finished product including the padding

Sizes	US	XXS	XS	XS1	S	M	M1	L
A	30	36	36	39	42	42	45	48
H	38	38	42	46	46	50	52	50
S	5	5	5	5	6	6	6	6
T	7.5	7.5	8	9	9	9	9	9
Y	15	15	15	17	17	17	17	17
Z	25	25	27	29	29	33	35	33

Report the difference of value with respect to the standard above (W)

A = _____	Standard Padding types and thickness		From US to XS1	From S to XL	Padding types and thickness only for foam in place backrest		From US to XS1	From S to XL
H = _____		3 Breathable foam	1 cm	1 cm		3 Breathable foam	1 cm	1 cm
T = _____		2 Antidecubitus foam	3 cm	4 cm		2 Antidecubitus foam	3 cm	4 cm
S = _____		1 Plywood/ Polyethylene foam	1.2/1.5 cm	1.2/1.5 cm		1 Plywood	1.2/1.5 cm	1.2/1.5 cm
Z = _____		<p>Note: the breathable foam is stitched into the lining</p>						

Note: to personalize W please make a drawing

Please, indicate the type, fabric and color of the cover

Type (T):

- 1) with staples (not removable) 2) removable with elastic 3) removable with H&L 4) removable with/zip

Fabric and color of the cover (M):

- | | | |
|--|--|--|
| A) Leather Flex Black (code 901) | F) Leather Flex Ocean (code 915) | M) Neoprene - Lycra wine (code 107) |
| B) Neoprene - Lycra Black (code 101) | G) Neoprene - Lycra Royal (code 103) | N) Neoprene - Lycra scarlet (code 108) |
| C) Perforated - Lycra Black (code 201) | H) Neoprene - Lycra Turquoise (code 104) | O) Perforato - Nylon Royal (code 109 RY) |
| D) Neoprene - Lycra Navy (code 102) | I) Neoprene - Nylon Green (code 505) | |
| E) Perforated - Nylon Green (code 105) | L) Neoprene - Lycra Violet (code 106) | |

Please, indicate the combination: (i.e. seat:1-A Type (1): with staples; Fabric and color of the cover (A): Leather Flex Black code 901)

Seat (T-M): _____



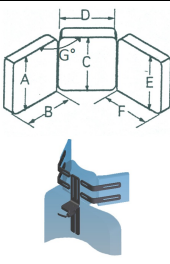
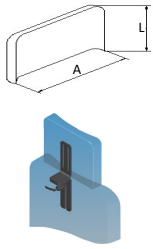
Backrest (T-M): _____

Accessories (T-M): _____ (The covers removable with zip or with H&L are not available on accessories)

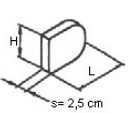
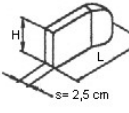
Note: For contoured padding it is not recommended the use of leather flex fabric because it is not elasticised; for Foam in place pre-arranged backrest it is not recommended the cover removable with elastic

VERSA POSITIONING SYSTEM ACCESSORIES

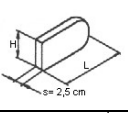
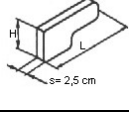
HEAD positioning system Versa Capitis

<input type="checkbox"/> Anatomic  Size <input type="checkbox"/> XP <input type="checkbox"/> P <input type="checkbox"/> M <input type="checkbox"/> G <input type="checkbox"/> long horizontal bar <input type="checkbox"/> short horizontal bar Note: Detachable mounting hardware included	<input type="checkbox"/> Confort  Size <input type="checkbox"/> P <input type="checkbox"/> M <input type="checkbox"/> G <input type="checkbox"/> long horizontal bar <input type="checkbox"/> short horizontal bar Note: Detachable mounting hardware included	<input type="checkbox"/> Versa 3 pads headrest (W)  A _____ B _____ C _____ D _____ E _____ F _____ G° _____ Note: Standard G = 120°	<input type="checkbox"/> Versa backrest extension (W)  Indicate: <input type="checkbox"/> top <input type="checkbox"/> bottom <input type="checkbox"/> flat <input type="checkbox"/> contoured L = 15 cm A = backrest width
---	--	---	---

Thoracic supports

<input type="checkbox"/> Flat pad  <table border="1" style="width: 100%; border-collapse: collapse;"> <thead> <tr> <th>Size (cm)</th> <th>XS</th> <th>S</th> <th>M</th> <th>L</th> <th>W_{RH}</th> <th>W_{LH}</th> </tr> </thead> <tbody> <tr> <td>H</td> <td>8</td> <td>10</td> <td>12</td> <td>12</td> <td></td> <td></td> </tr> <tr> <td>L</td> <td>10</td> <td>12</td> <td>15</td> <td>18</td> <td></td> <td></td> </tr> </tbody> </table> <table border="1" style="width: 100%; border-collapse: collapse;"> <thead> <tr> <th>Side</th> <th>Pad Shape</th> <th>Bracket Type</th> <th>Bracket Shape</th> <th>Size</th> </tr> </thead> <tbody> <tr> <td rowspan="2">RH</td> <td><input type="checkbox"/> linear <input type="checkbox"/> armpit cut</td> <td><input type="checkbox"/> fixed <input type="checkbox"/> detachable <input type="checkbox"/> swing-away</td> <td><input type="checkbox"/> A <input type="checkbox"/> B <input type="checkbox"/> C <input type="checkbox"/> D</td> <td></td> </tr> <tr> <td rowspan="2">LH</td> <td><input type="checkbox"/> linear <input type="checkbox"/> armpit cut</td> <td><input type="checkbox"/> fixed <input type="checkbox"/> detachable <input type="checkbox"/> swing-away</td> <td><input type="checkbox"/> A <input type="checkbox"/> B <input type="checkbox"/> C <input type="checkbox"/> D</td> </tr> <tr> <td colspan="2">Bracket padding <input type="checkbox"/> RH <input type="checkbox"/> LH</td> <td colspan="3">Bracket dimensions <input type="checkbox"/> short <input type="checkbox"/> long</td> </tr> </tbody> </table>	Size (cm)	XS	S	M	L	W _{RH}	W _{LH}	H	8	10	12	12			L	10	12	15	18			Side	Pad Shape	Bracket Type	Bracket Shape	Size	RH	<input type="checkbox"/> linear <input type="checkbox"/> armpit cut	<input type="checkbox"/> fixed <input type="checkbox"/> detachable <input type="checkbox"/> swing-away	<input type="checkbox"/> A <input type="checkbox"/> B <input type="checkbox"/> C <input type="checkbox"/> D		LH	<input type="checkbox"/> linear <input type="checkbox"/> armpit cut	<input type="checkbox"/> fixed <input type="checkbox"/> detachable <input type="checkbox"/> swing-away	<input type="checkbox"/> A <input type="checkbox"/> B <input type="checkbox"/> C <input type="checkbox"/> D	Bracket padding <input type="checkbox"/> RH <input type="checkbox"/> LH		Bracket dimensions <input type="checkbox"/> short <input type="checkbox"/> long			<input type="checkbox"/> Contoured pad  <table border="1" style="width: 100%; border-collapse: collapse;"> <thead> <tr> <th>Size (cm)</th> <th>XS</th> <th>S</th> <th>M</th> <th>L</th> <th>W_{RH}</th> <th>W_{LH}</th> </tr> </thead> <tbody> <tr> <td>H</td> <td>8</td> <td>10</td> <td>12</td> <td></td> <td></td> <td></td> </tr> <tr> <td>L</td> <td>14</td> <td>16</td> <td>19</td> <td></td> <td></td> <td></td> </tr> </tbody> </table> <table border="1" style="width: 100%; border-collapse: collapse;"> <thead> <tr> <th>Side</th> <th>Pad Shape</th> <th>Bracket Type</th> <th>Bracket Shape</th> <th>Size</th> </tr> </thead> <tbody> <tr> <td rowspan="2">RH</td> <td><input type="checkbox"/> linear <input type="checkbox"/> armpit cut</td> <td><input type="checkbox"/> fixed <input type="checkbox"/> detachable <input type="checkbox"/> swing-away</td> <td><input type="checkbox"/> A <input type="checkbox"/> B <input type="checkbox"/> C <input type="checkbox"/> D</td> <td></td> </tr> <tr> <td rowspan="2">LH</td> <td><input type="checkbox"/> linear <input type="checkbox"/> armpit cut</td> <td><input type="checkbox"/> fixed <input type="checkbox"/> detachable <input type="checkbox"/> swing-away</td> <td><input type="checkbox"/> A <input type="checkbox"/> B <input type="checkbox"/> C <input type="checkbox"/> D</td> </tr> <tr> <td colspan="2">Bracket padding <input type="checkbox"/> RH <input type="checkbox"/> LH</td> <td colspan="3">Bracket dimensions <input type="checkbox"/> short <input type="checkbox"/> long</td> </tr> </tbody> </table>	Size (cm)	XS	S	M	L	W _{RH}	W _{LH}	H	8	10	12				L	14	16	19				Side	Pad Shape	Bracket Type	Bracket Shape	Size	RH	<input type="checkbox"/> linear <input type="checkbox"/> armpit cut	<input type="checkbox"/> fixed <input type="checkbox"/> detachable <input type="checkbox"/> swing-away	<input type="checkbox"/> A <input type="checkbox"/> B <input type="checkbox"/> C <input type="checkbox"/> D		LH	<input type="checkbox"/> linear <input type="checkbox"/> armpit cut	<input type="checkbox"/> fixed <input type="checkbox"/> detachable <input type="checkbox"/> swing-away	<input type="checkbox"/> A <input type="checkbox"/> B <input type="checkbox"/> C <input type="checkbox"/> D	Bracket padding <input type="checkbox"/> RH <input type="checkbox"/> LH		Bracket dimensions <input type="checkbox"/> short <input type="checkbox"/> long		
Size (cm)	XS	S	M	L	W _{RH}	W _{LH}																																																																											
H	8	10	12	12																																																																													
L	10	12	15	18																																																																													
Side	Pad Shape	Bracket Type	Bracket Shape	Size																																																																													
RH	<input type="checkbox"/> linear <input type="checkbox"/> armpit cut	<input type="checkbox"/> fixed <input type="checkbox"/> detachable <input type="checkbox"/> swing-away	<input type="checkbox"/> A <input type="checkbox"/> B <input type="checkbox"/> C <input type="checkbox"/> D																																																																														
	LH	<input type="checkbox"/> linear <input type="checkbox"/> armpit cut	<input type="checkbox"/> fixed <input type="checkbox"/> detachable <input type="checkbox"/> swing-away	<input type="checkbox"/> A <input type="checkbox"/> B <input type="checkbox"/> C <input type="checkbox"/> D																																																																													
Bracket padding <input type="checkbox"/> RH <input type="checkbox"/> LH		Bracket dimensions <input type="checkbox"/> short <input type="checkbox"/> long																																																																															
Size (cm)	XS	S	M	L	W _{RH}	W _{LH}																																																																											
H	8	10	12																																																																														
L	14	16	19																																																																														
Side	Pad Shape	Bracket Type	Bracket Shape	Size																																																																													
RH	<input type="checkbox"/> linear <input type="checkbox"/> armpit cut	<input type="checkbox"/> fixed <input type="checkbox"/> detachable <input type="checkbox"/> swing-away	<input type="checkbox"/> A <input type="checkbox"/> B <input type="checkbox"/> C <input type="checkbox"/> D																																																																														
	LH	<input type="checkbox"/> linear <input type="checkbox"/> armpit cut	<input type="checkbox"/> fixed <input type="checkbox"/> detachable <input type="checkbox"/> swing-away	<input type="checkbox"/> A <input type="checkbox"/> B <input type="checkbox"/> C <input type="checkbox"/> D																																																																													
Bracket padding <input type="checkbox"/> RH <input type="checkbox"/> LH		Bracket dimensions <input type="checkbox"/> short <input type="checkbox"/> long																																																																															
Note.: If the type of bracket is not indicated, the fixed short bracket will be supplied																																																																																	

Hip Guides

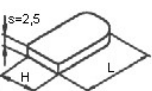
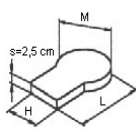
<input type="checkbox"/> Linear hip guide  <table border="1" style="width: 100%; border-collapse: collapse;"> <thead> <tr> <th>Size (cm)</th> <th>XS</th> <th>S</th> <th>M</th> <th>L</th> <th>W_{RH}</th> <th>W_{LH}</th> </tr> </thead> <tbody> <tr> <td>H</td> <td>8</td> <td>10</td> <td>10</td> <td>12</td> <td></td> <td></td> </tr> <tr> <td>L</td> <td>22</td> <td>25</td> <td>30</td> <td>35</td> <td></td> <td></td> </tr> </tbody> </table> <table border="1" style="width: 100%; border-collapse: collapse;"> <thead> <tr> <th>Side</th> <th>Bracket Type</th> <th>Bracket Shape</th> <th>Pad size</th> </tr> </thead> <tbody> <tr> <td rowspan="2">RH</td> <td><input type="checkbox"/> fixed <input type="checkbox"/> detachable</td> <td><input type="checkbox"/> A <input type="checkbox"/> B <input type="checkbox"/> C <input type="checkbox"/> D</td> <td></td> </tr> <tr> <td rowspan="2">LH</td> <td><input type="checkbox"/> fixed <input type="checkbox"/> detachable</td> <td><input type="checkbox"/> A <input type="checkbox"/> B <input type="checkbox"/> C <input type="checkbox"/> D</td> </tr> <tr> <td colspan="2">Bracket padding <input type="checkbox"/> RH <input type="checkbox"/> LH</td> <td colspan="2">Additional Bracket <input type="checkbox"/> RH <input type="checkbox"/> LH</td> </tr> </tbody> </table>	Size (cm)	XS	S	M	L	W _{RH}	W _{LH}	H	8	10	10	12			L	22	25	30	35			Side	Bracket Type	Bracket Shape	Pad size	RH	<input type="checkbox"/> fixed <input type="checkbox"/> detachable	<input type="checkbox"/> A <input type="checkbox"/> B <input type="checkbox"/> C <input type="checkbox"/> D		LH	<input type="checkbox"/> fixed <input type="checkbox"/> detachable	<input type="checkbox"/> A <input type="checkbox"/> B <input type="checkbox"/> C <input type="checkbox"/> D	Bracket padding <input type="checkbox"/> RH <input type="checkbox"/> LH		Additional Bracket <input type="checkbox"/> RH <input type="checkbox"/> LH		<input type="checkbox"/> Contoured hip guide  <table border="1" style="width: 100%; border-collapse: collapse;"> <thead> <tr> <th>Size (cm)</th> <th>XS</th> <th>S</th> <th>M</th> <th>L</th> <th>W_{RH}</th> <th>W_{LH}</th> </tr> </thead> <tbody> <tr> <td>H</td> <td>8</td> <td>10</td> <td>10</td> <td>12</td> <td></td> <td></td> </tr> <tr> <td>L</td> <td>22</td> <td>25</td> <td>30</td> <td>35</td> <td></td> <td></td> </tr> </tbody> </table> <table border="1" style="width: 100%; border-collapse: collapse;"> <thead> <tr> <th>Side</th> <th>Bracket Type</th> <th>Bracket Shape</th> <th>Pad size</th> </tr> </thead> <tbody> <tr> <td rowspan="2">RH</td> <td><input type="checkbox"/> fixed <input type="checkbox"/> detachable</td> <td><input type="checkbox"/> A <input type="checkbox"/> B <input type="checkbox"/> C <input type="checkbox"/> D</td> <td></td> </tr> <tr> <td rowspan="2">LH</td> <td><input type="checkbox"/> fixed <input type="checkbox"/> detachable</td> <td><input type="checkbox"/> A <input type="checkbox"/> B <input type="checkbox"/> C <input type="checkbox"/> D</td> </tr> <tr> <td colspan="2">Bracket padding <input type="checkbox"/> RH <input type="checkbox"/> LH</td> <td colspan="2">Additional Bracket <input type="checkbox"/> RH <input type="checkbox"/> LH</td> </tr> </tbody> </table>	Size (cm)	XS	S	M	L	W _{RH}	W _{LH}	H	8	10	10	12			L	22	25	30	35			Side	Bracket Type	Bracket Shape	Pad size	RH	<input type="checkbox"/> fixed <input type="checkbox"/> detachable	<input type="checkbox"/> A <input type="checkbox"/> B <input type="checkbox"/> C <input type="checkbox"/> D		LH	<input type="checkbox"/> fixed <input type="checkbox"/> detachable	<input type="checkbox"/> A <input type="checkbox"/> B <input type="checkbox"/> C <input type="checkbox"/> D	Bracket padding <input type="checkbox"/> RH <input type="checkbox"/> LH		Additional Bracket <input type="checkbox"/> RH <input type="checkbox"/> LH	
Size (cm)	XS	S	M	L	W _{RH}	W _{LH}																																																																			
H	8	10	10	12																																																																					
L	22	25	30	35																																																																					
Side	Bracket Type	Bracket Shape	Pad size																																																																						
RH	<input type="checkbox"/> fixed <input type="checkbox"/> detachable	<input type="checkbox"/> A <input type="checkbox"/> B <input type="checkbox"/> C <input type="checkbox"/> D																																																																							
	LH	<input type="checkbox"/> fixed <input type="checkbox"/> detachable	<input type="checkbox"/> A <input type="checkbox"/> B <input type="checkbox"/> C <input type="checkbox"/> D																																																																						
Bracket padding <input type="checkbox"/> RH <input type="checkbox"/> LH		Additional Bracket <input type="checkbox"/> RH <input type="checkbox"/> LH																																																																							
Size (cm)	XS	S	M	L	W _{RH}	W _{LH}																																																																			
H	8	10	10	12																																																																					
L	22	25	30	35																																																																					
Side	Bracket Type	Bracket Shape	Pad size																																																																						
RH	<input type="checkbox"/> fixed <input type="checkbox"/> detachable	<input type="checkbox"/> A <input type="checkbox"/> B <input type="checkbox"/> C <input type="checkbox"/> D																																																																							
	LH	<input type="checkbox"/> fixed <input type="checkbox"/> detachable	<input type="checkbox"/> A <input type="checkbox"/> B <input type="checkbox"/> C <input type="checkbox"/> D																																																																						
Bracket padding <input type="checkbox"/> RH <input type="checkbox"/> LH		Additional Bracket <input type="checkbox"/> RH <input type="checkbox"/> LH																																																																							
Note: If the type of bracket is not reported the fixed bracket will be supplied.																																																																									

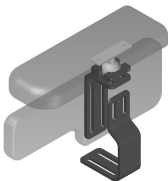
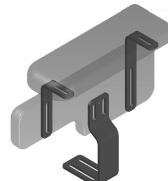
The shape of the bracket: allows variations of the seat and/or backrest width

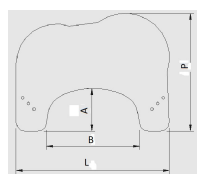
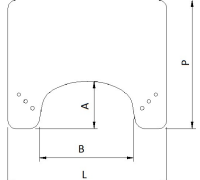


- A L 90° bracket allows a reduction of the width up to 2.5 cm per side
- B 2.5 cm Offset bracket allows a reduction of the width up to 5 cm per side
- C 5 cm Offset bracket allows a reduction of the width up to 7.5 cm per side
- D Reverse bracket doesn't allow any variation

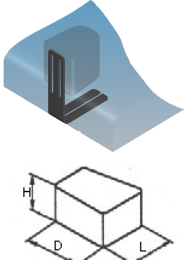

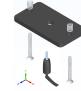


Note: in the removable/fixed version the difference between the short and the long bracket is about 2cm in length, in the swing-away version is about 5cm





Arm supports (only in combination with the Hip Guides)										
<input type="checkbox"/> Flat					<input type="checkbox"/> Flat and shaped					
		Size (cm)	XS	S	M	L	W _{RH}	W _{LH}		
		H	8	10	10	12				
		L	22	25	30	35				
		Size (cm)	XS	S	M	L	W _{RH}	W _{LH}		
		H	8	10	10	12				
		L	30	35	40	48				
		M	12	15	17	17				
Side	Flat	Flat contoured			Size					
RH	<input type="checkbox"/> linear	<input type="checkbox"/> inside contoured <input type="checkbox"/> outside contoured <input type="checkbox"/> posterior contoured								
LH	<input type="checkbox"/> linear	<input type="checkbox"/> inside contoured <input type="checkbox"/> outside contoured <input type="checkbox"/> posterior contoured								
Side	Shaped flat	Shaped contoured			Size					
RH	<input type="checkbox"/> palmar <input type="checkbox"/> elbow	<input type="checkbox"/> palmar <input type="checkbox"/> elbow <input type="checkbox"/> inside contoured <input type="checkbox"/> outside contoured <input type="checkbox"/> posterior contoured								
LH	<input type="checkbox"/> palmar <input type="checkbox"/> elbow	<input type="checkbox"/> palmar <input type="checkbox"/> elbow <input type="checkbox"/> inside contoured <input type="checkbox"/> outside contoured <input type="checkbox"/> posterior contoured								
Arm straps		<input type="checkbox"/> RH	<input type="checkbox"/> not padded	<input type="checkbox"/> padded	q.ty ____					
		<input type="checkbox"/> LH	<input type="checkbox"/> not padded	<input type="checkbox"/> padded	q.ty ____					

Mounting System for Hip Guides/Arm Support			
<input type="checkbox"/> with multiaxial sphere		<input type="checkbox"/> with "L" bracket	
			
Side <input type="checkbox"/> RH <input type="checkbox"/> LH		Side <input type="checkbox"/> RH <input type="checkbox"/> LH	

Trays									
<input type="checkbox"/> ergonomic wooden tray					<input type="checkbox"/> rectangular wooden tray				
		Size (cm)	<input type="checkbox"/> US	<input type="checkbox"/> P	<input type="checkbox"/> M	<input type="checkbox"/> G			
		P	47	53	58	66			
		L	58	69	75	86			
		B	35	42	49	55			
		A	17	19	21	24			
		Size (cm)	<input type="checkbox"/> US	<input type="checkbox"/> P	<input type="checkbox"/> M	<input type="checkbox"/> G			
		P	45	50	55	63			
		L	56	66	71	82			
		B	35	42	48	55			
		A	17	19	21	24			
<input type="checkbox"/> with lateral flip hardware			<input type="checkbox"/> with detachable hardware w/brackets						
									
Padding			Outer edge						
<input type="checkbox"/> blue leather flex <input type="checkbox"/> black leather flex			<input type="checkbox"/> yes <input type="checkbox"/> no						

Abductor wedge						
		Size (cm)	<input type="checkbox"/> S	<input type="checkbox"/> M	<input type="checkbox"/> L	<input type="checkbox"/> W
		H	7.5	9	10	
		D	9	10	11.5	
		L	7.5	9	10	
Note: To be combined only with flat padding, wedge padding, anti-thrust padding and anti-thrust with adductors						
<input type="checkbox"/> removable with lever			<input type="checkbox"/> removable mounting block			
						
Please indicate the position of holes under the seat (if not indicated the abductor wedge will be fixed in the standard position)			<input type="checkbox"/> standard <input type="checkbox"/> not centred			
			<input type="checkbox"/> on the RH <input type="checkbox"/> on the LH			


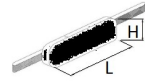
Fixatis Positioning Harnesses

<input type="checkbox"/> Dynamic butterfly harness		<input type="checkbox"/> XS	<input type="checkbox"/> S	<input type="checkbox"/> M	<input type="checkbox"/> L
<input type="checkbox"/> Chest harness with shoulder retractor pads		<input type="checkbox"/> S	<input type="checkbox"/> M	<input type="checkbox"/> L	
<input type="checkbox"/> Chest harness with shoulder stabilisation pads		<input type="checkbox"/> S	<input type="checkbox"/> M	<input type="checkbox"/> L	
<input type="checkbox"/> Trunk harness w/elastic shoulder retractors and chest buckle closure		<input type="checkbox"/> XS	<input type="checkbox"/> S	<input type="checkbox"/> M	<input type="checkbox"/> L

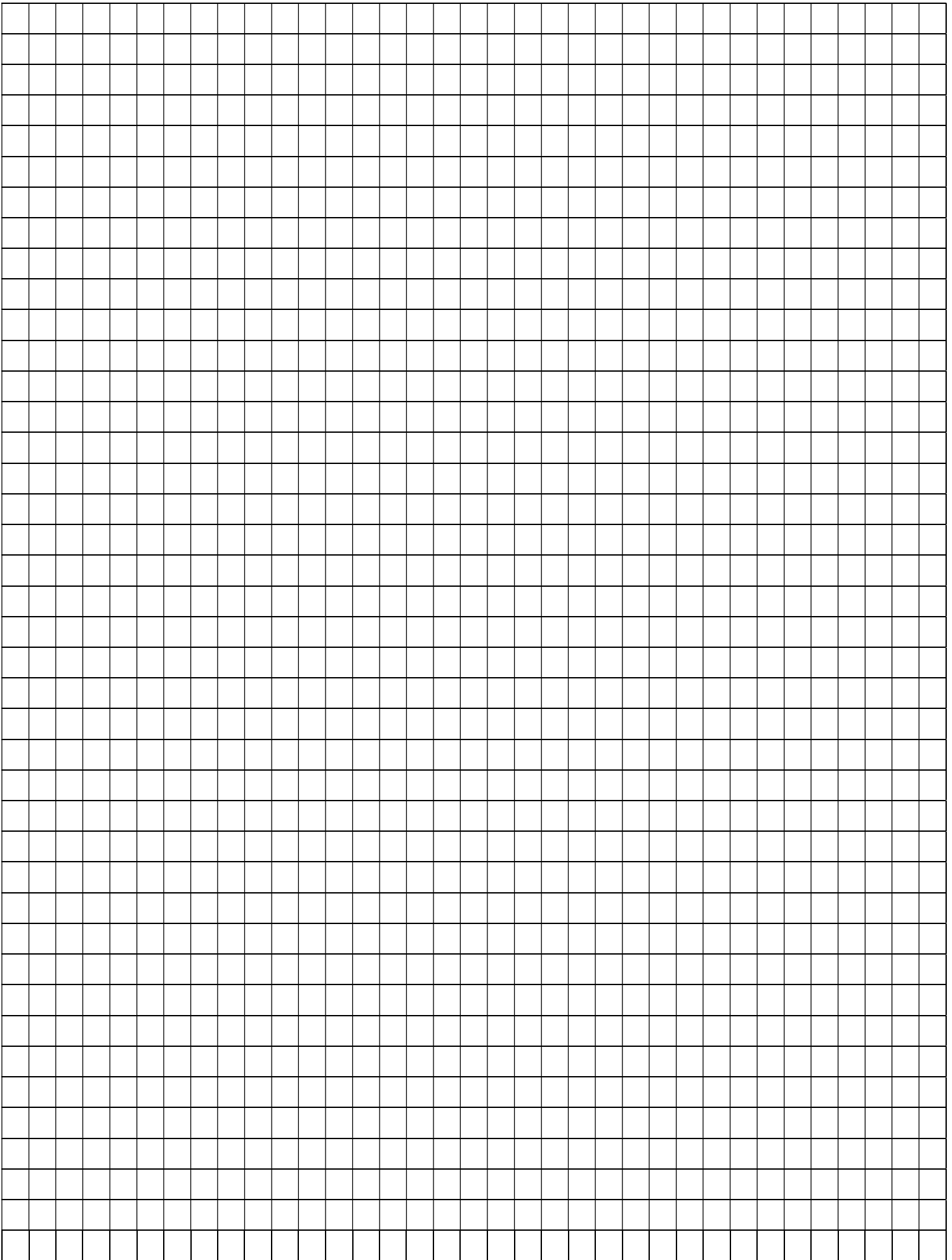
Fixatis Pelvic Belt

<input type="checkbox"/> Dynamic abduction harness		<input type="checkbox"/> S	<input type="checkbox"/> M	<input type="checkbox"/> L	
<input type="checkbox"/> Pelvic belt with 2 fixing points and 2 adjustments with plastic buckle closure		<input type="checkbox"/> XS	<input type="checkbox"/> S	<input type="checkbox"/> M	<input type="checkbox"/> L
<input type="checkbox"/> Pelvic belt with 2 fixing points and 2 adjustments with metal closure		<input type="checkbox"/> S	<input type="checkbox"/> M	<input type="checkbox"/> L	
<input type="checkbox"/> Pelvic belt with 4 fixing points and 2 adjustments with metal closure		<input type="checkbox"/> S	<input type="checkbox"/> M	<input type="checkbox"/> L	

Lower limbs fixing elements

<input type="checkbox"/> Midfoot padded strap with hook and loop fixing		<input type="checkbox"/> S	<input type="checkbox"/> M	<input type="checkbox"/> L				
<input type="checkbox"/> Foot straps		<input type="checkbox"/> with hook and loops		<input type="checkbox"/> LH	<input type="checkbox"/> RH			
		<input type="checkbox"/> padded		<input type="checkbox"/> LH	<input type="checkbox"/> RH			
<input type="checkbox"/> Padded calf strap (HxL) cm		<input type="checkbox"/> US (11x26)	<input type="checkbox"/> XXS-XS (11x31)	<input type="checkbox"/> XS0-XS1 (11x34)	<input type="checkbox"/> S-M (13x37)	<input type="checkbox"/> M1 (13x40)	<input type="checkbox"/> L-XL (13x43)	<input type="checkbox"/> W
<input type="checkbox"/> Simple calf strap (HxL) cm		<input type="checkbox"/> US (5x26)	<input type="checkbox"/> XXS-XS (5x31)	<input type="checkbox"/> XS0-XS1 (5x34)	<input type="checkbox"/> S-M (5x37)	<input type="checkbox"/> M1 (5x40)	<input type="checkbox"/> L-XL (5x43)	<input type="checkbox"/> W
<input type="checkbox"/> Elastic ankle fixing strap		<input type="checkbox"/> LH	<input type="checkbox"/> RH					

Notes:



PRO MEDICARE S.r.l.
Via Montagna Z.I. Lotto 41-72023 Mesagne (Br)-ITALY
Tel: +39-0831-777840 Fax:+39-0831-730739
Website: www.promedicare.eu e-mail: sales@promedicare.it