

Order Form/Design Configuration for the Positioning Systems Frame Adacta Liga Light

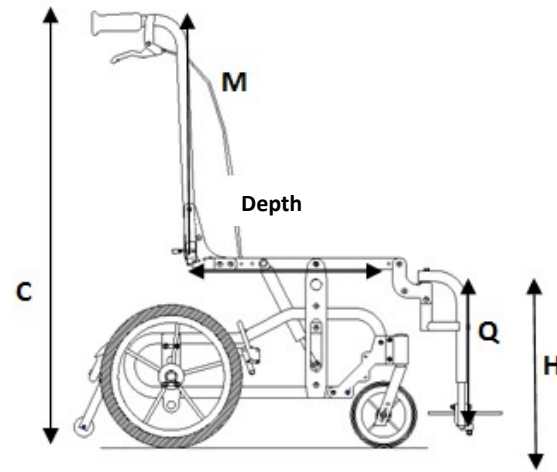
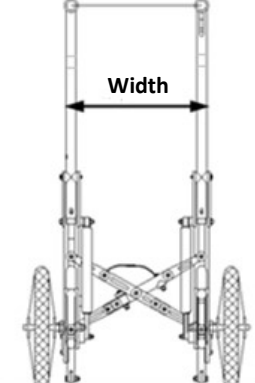
Order Quotation

Invoicing Details	Shipping Details
Company name: _____	Ship to: _____
Delivery date required: ___ / ___ / ___	_____
Delivery address: _____	CUSTOMER STAMP AND SIGNATURE
P. Code.: _____ Town: _____	
Tel.: _____ Fax: _____	
# Order: _____ Date of the Order: ___ / ___ / ___	

Pro Medicare srl grants **24 months** warranty on production defects from the date of the first put into service and **12 months** on covers and components subjected to wearing. Warranty is void if the product is used in any other way than stated in the Instruction Manual.

Note: Any request for variation in dimensions, materials and type compared to the standard does not have **CE** marking, therefore the professional user becomes the manufacturer and has the obligation to draw up the technical documentation of the device (this is valid for the sections of the sheet with the letter **W**; the prices of the **W** items are not present on this order form)

Images are purely illustrative and may not fully reflect reality.

Standard Configuration			
<ul style="list-style-type: none"> - Adacta Liga satin anodised Frame - Fixed folding down back posts - Reclining mechanism by predetermined plate w/pin 3°, 9°, 15°, 22° - Continuous Tilt in space by drive lever: <ul style="list-style-type: none"> paediatric from 2° up to 35° (from 6° up to 39°)¹ adult from 4° up to 30° (from 8° up to 34°)¹ ¹ tilt in space can be up-graded of 4° with increment of the starting inclination of the frame by operating on the positioning holes of the casters forks - Fixed anti-tip system - Wheels Kit with brake - Adjustment of the seat depth - Height adjustment: high (49 cm from the floor)/low (43 cm from the floor)* *(with 300mm and 500mm wheels only) - Knee angle - Foot Plates - Simple Calf Strap 			
Frame Type	<input type="checkbox"/> Rigid <input type="checkbox"/> Folding		
Frame Color	<input type="radio"/> Blue <input type="radio"/> Red <input type="radio"/> Turquoise <input type="radio"/> Pink <input type="radio"/> Titanium		
Frame Size <small>(Width measurements are from tube to tube externally, while depth measurements are from back post to footboard engagement).</small>			
	Seat Width (cm)	Depth and Adjustment (cm)	
Paediatric	<input type="radio"/> US	30	<input type="radio"/> 36 <input checked="" type="radio"/> 38.5 <input type="radio"/> 41 <input type="radio"/> 44
	<input type="radio"/> XXS	35	<input type="radio"/> 36 <input checked="" type="radio"/> 38.5 <input type="radio"/> 41 <input type="radio"/> 44
	<input type="radio"/> XS	35	<input type="radio"/> 40 <input checked="" type="radio"/> 42.5 <input type="radio"/> 45 <input type="radio"/> 48
	<input type="radio"/> XS0	38	<input type="radio"/> 40 <input checked="" type="radio"/> 42.5 <input type="radio"/> 45 <input type="radio"/> 48
Adult	<input type="radio"/> XS1	38	<input type="radio"/> 44 <input checked="" type="radio"/> 46.5 <input type="radio"/> 49 <input type="radio"/> 52
	<input type="radio"/> S	41	<input type="radio"/> 44 <input checked="" type="radio"/> 46.5 <input type="radio"/> 49 <input type="radio"/> 52
	<input type="radio"/> M	41	<input type="radio"/> 48 <input checked="" type="radio"/> 50.5 <input type="radio"/> 53 <input type="radio"/> 56
	<input type="radio"/> M1	44	<input type="radio"/> 48 <input checked="" type="radio"/> 50.5 <input type="radio"/> 53 <input type="radio"/> 56
	<input type="radio"/> L	47	<input type="radio"/> 44 <input checked="" type="radio"/> 46.5 <input type="radio"/> 49 <input type="radio"/> 52
	<input type="radio"/> XL	47	<input type="radio"/> 48 <input checked="" type="radio"/> 50.5 <input type="radio"/> 53 <input type="radio"/> 56
		<p>H: seat rails to floor height (see page 6) Q: length from seat rails to footplate (see page 6) C: push handles height to floor = 110 cm M: push handles height from seat rails (see page 2)</p> <p>Notes: If a selection is not made, the product will be delivered in its standard configuration. (See bold items)</p> <p>◊ = Standard ○ = Optional without up-charge <input type="checkbox"/> = Optional with up-charge</p>	

FRAME OPTIONS

Castors

150mm (6") poly grey black 175mm (7") poly grey black

Posterior Wheels

300mm (12") poly grey with parking brake lever

300mm (12") poly black with parking brake lever

300mm (12") pneumatic grey with parking brake lever

300mm (12") poly black with drum brake

300mm (12") poly grey with drum brake

300mm (12") pneumatic grey with drum brake

300mm (12") poly black with drum brake and parking brake lever

300mm (12") poly grey with drum brake and parking brake lever

300mm (12") pneumatic grey with drum brake and parking brake lever

400mm (16") poly black with parking brake lever (only 45 cm height)

400mm (16") poly black with drum brake (only 45 cm height)

400mm (16") poly black with drum brake and parking brake lever (only 45 cm height)

500mm (20") poly grey without handrims with parking brake lever

handrims for 500mm (20") wheels

500mm (20") pneumatic grey without handrims with parking brake lever



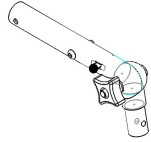
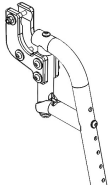
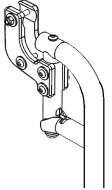


500mm (20") pneumatic grey with handrims with drum brake

500mm (20") pneumatic grey with handrims with drum brake and parking brake lever

600mm (24") pneumatic grey with handrims with parking brake lever (not available on size US)

(NOTE: The tilt in space is reduced to 20°, only 47 cm height)

Knee Angle

Paediatric Sizes from US-XS0 (detachable)	 Angle 90° <input checked="" type="checkbox"/> RH <input checked="" type="checkbox"/> LH		 Angle 75° <input type="checkbox"/> RH <input type="checkbox"/> LH		 Elevating (with teething mechanism) from 80° up to 180° with a gap of 14° <input type="checkbox"/> RH <input type="checkbox"/> LH
	Adult Sizes from XS1-XL (swing-away and detachable)	 Angle 75° <input checked="" type="checkbox"/> RH <input checked="" type="checkbox"/> LH	 Angle 90° <input type="checkbox"/> RH <input type="checkbox"/> LH	 Elevating (with a spring ping) 6 positions: from 110° up to 160° with 12° gap <input type="checkbox"/> RH <input type="checkbox"/> LH	 Vertical Telescopic and Elevating 6 positions: from 110° up to 160° with 12° gap <input type="checkbox"/> RH <input type="checkbox"/> LH Note: with knee joints padded cover

Footrest

footplates footboard slotted (footplates only for intra-extra rotation of 15°)

padding and cover in leatherette divided one piece

Back Posts

Kit for fixed push handles

Kit for push handles adjustable in height by pin (max adjustment 10 cm with 2.5 cm gap)

Note: height M push handles equal to 63 cm

Kit for telescopic push handles with lever block (max adjustment 10 cm)

Kit for angle adjustable single handlebar for rigid frame

Kit for angle adjustable separated handlebar for folding frame (only for paediatric frame sizes)

Kit for telescopic and angle adjustable single handlebar

Quick-release pins for easier backrest inclination (not valid for crash test)

Tilt in space

with lever with pedal

Anti-tip system

fixed

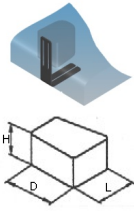


detachable

FRAME ACCESSORIES

Seat Base Note: The wooden seat bases present posterior notches of 6 cm for an easy movement on the seat rails

- wooden seat base covered in black leatherette (with male and female hook and loop fastening straps)
- wooden seat base with mounting kit
- fixed grey wooden seat base with slots

Abductor wedge only with rigid seat base

	Size (cm)	<input type="checkbox"/> S	<input type="checkbox"/> M	<input type="checkbox"/> L	<input type="checkbox"/> W	<input type="checkbox"/> removable with lever 	<input type="checkbox"/> removable mounting block 
	H	7.5	9	10		<input type="checkbox"/> Note: if not indicate the abductor wedge will be removable with lever Please indicate the position of holes under the seat (if not indicated the abductor wedge will be fixed in the standard position)	
	D	9	10	11.5			
	L	7.5	9	10			
						<input type="checkbox"/> standard <input type="checkbox"/> not centred <input type="checkbox"/> on the RH <input type="checkbox"/> on the LH	

Vehicle Transportation Kit (according to the ISO 7176-19 standard)

Do not use the wheelchair as a seat in a vehicle if the weight of the user is lower than 22 kg

- only frame height 43 cm and with 300mm (12") and 500mm (20") posterior wheels (it is strongly recommended the use of a headrest)

Wooden Supporting Base for Breathing Equipment covered in black leatherette (available with tilt in space with lever only)

Note: Bulky equipments may lead to a reduction of the tilt in space /reclining values

- with maximum breathing equipment dimensions of: Width: 25cm; Length: 30cm; Height: 10cm
- with maximum breathing equipment dimensions exceeding 25x30x10cm

In this situation, please indicate: Width _____; Length _____; Height _____; NOTE _____


Note: Pro Medicare Srl reserves the right to check wheelchair compatibility

Pedal for barriers

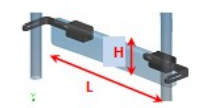
Side RH LH

Leg Support

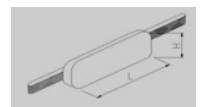
Separate Leg Cradle (adjustable in height and depth) RH LH custom W

	cm	US	XXS	XS	XS0	XS1	S	M	M1	L	XL	W _{RH}	W _{LH}
	H	10	12,5	12,5	15	15	15	18	18	18	18
	L	9.5	12.5	12.5	12.5	12.5	12.5	14	14	15.5	17.5	17.5

Calf Panel (adjustable in height and depth) custom W

	cm	US	XXS	XS	XS0	XS1	S	M	M1	L	XL	W
	H	10	12	12	15	15	18	18	18	18	18
	L	23	26,5	26,5	25	25	28	28	31	34	34

Padded Calf Strap custom W

	cm	US	XXS	XS	XS0	XS1	S	M	M1	L	XL	W
	H	11	11	11	11	11	13	13	13	13	13
	L	26	31	31	34	34	37	37	40	43	43

Padded Divided Leg Cradles (adjustable in height and depth) RH LH custom W

	cm	US	XXS	XS	XS0	XS1	S	M	M1	L	XL	W _{RH}	W _{LH}
	H	12.5	15	15	17.5	17.5	17.5	20	20	20	20
	L	12.5	14	14	15.5	15.5	17	17	19	22.5	22.5
	P	13.5	14	14	15	15	15	15.5	15.5	16	16

Padded foot box (adjustable in height and depth) custom W

	cm	US	XXS	XS	XS0	XS1	S	M	M1	L	XL	W
	H	12.5	15	15	17.5	17.5	17.5	20	20	22.5	22.5
	L	23.5	29	29	32.5	32.5	35.5	35.5	38.5	41.5	41.5
	P	13.5	14	14	15	15	15	15	15.5	16	16

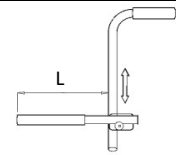
Cover for Knee Angle joint RH LH

Cover for legrest tube RH LH

Armrest

Height adjustable flip back tubular armrests/inclination max 5°

- small (L = 25 cm)
- large (L = 30 cm)



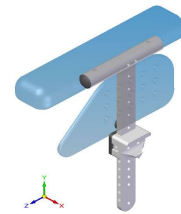
Kit of ABS laterals multi-adjustable, detachable and w/multi-adjustable arm support in width and depth with 2.5 cm gap

make a selection:

- small arm support (from US to XS0) (dimensions: 5 cm x 25 cm)
- large arm support (from XS1 to XL) (dimensions: 6 cm x 30 cm)

make a selection:

- short vertical bar (from 22 cm to 31 cm*)
- long vertical bar (from 29 cm to 38 cm*)
- * distance from armrest to the seat rail



Kit of hardware multi-adjustable, detachable for ABS laterals

make a selection:

- short vertical bar (from 19 cm to 28 cm*)
- long vertical bar (from 26 cm to 35 cm*)
- *distance from hardware to the seat rail

make a selection:

- hip guide pad ① see below
- arm support pad ② see below

ABS Lateral: RH LH



Padding for ABS Laterals RH LH

Spacer for ABS laterals 1 cm 1.5 cm 2 cm RH LH

Hip Guides

Linear Hip Guide ① (pad only)

Linear Hip Guide pad w/mounting bracket

cm	XS	S	M	L	W _{RH}	W _{LH}
H	8	10	10	12
L	22	25	30	35

Side	Pad size	Select the bracket*	Select the bracket shape*
<input type="checkbox"/> RH		<input type="checkbox"/> Fixed <input type="checkbox"/> Detachable	<input type="checkbox"/> A <input type="checkbox"/> B <input type="checkbox"/> C <input type="checkbox"/> D
<input type="checkbox"/> LH		<input type="checkbox"/> Fixed <input type="checkbox"/> Detachable	<input type="checkbox"/> A <input type="checkbox"/> B <input type="checkbox"/> C <input type="checkbox"/> D

Bracket Padding: RH LH

Contoured Hip Guide ① (pad only)

Contoured Hip Guide pad w/mounting bracket

cm	XS	S	M	L	W _{RH}	W _{LH}
H	8	10	10	12
L	22	25	30	35

Side	Pad size	Select the bracket*	Select the bracket shape*
<input type="checkbox"/> RH		<input type="checkbox"/> Fixed <input type="checkbox"/> Detachable	<input type="checkbox"/> A <input type="checkbox"/> B <input type="checkbox"/> C <input type="checkbox"/> D
<input type="checkbox"/> LH		<input type="checkbox"/> Fixed <input type="checkbox"/> Detachable	<input type="checkbox"/> A <input type="checkbox"/> B <input type="checkbox"/> C <input type="checkbox"/> D

Bracket Padding: RH LH

Note: If the bracket feature is not selected the fixed bracket will be delivered; for the choice of bracket shape see below

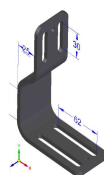
***Brackets** (They allow adjustments of the seat and/or backrest width)

Shape

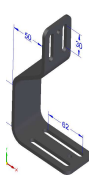
- A** L/90° Bracket allows a reduction of the width up to 2.5 cm per side
- B** 2.5 cm Offset Bracket allows a reduction of the width up to 5 cm per side
- C** 5 cm Offset Brackets allows a reduction of the width up to 7.5 cm per side
- D** Reverse Bracket doesn't allow any variation of the width



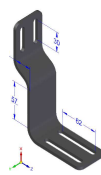
A



B



C



D

Type



Fixed Bracket



Detachable Bracket

Arm Supports																			
<input type="checkbox"/> Flat Arm Support ② (pad only)							<input type="checkbox"/> Inside/outside flat Contoured Arm Support ② (pad only)												
<input type="checkbox"/> Flat arm support w/brackets							<input type="checkbox"/> Inside/outside flat Contoured arm support w/brackets												
		cm	XS	S	M	L	W _{RH}	W _{LH}			cm	XS	S	M	L	W _{RH}	W _{LH}		
		H	8	10	10	12			H	8	10	10	12		
		L	22	25	30	35			L	22	25	30	35		
Side		Size								Side		Size							
<input type="checkbox"/> RH										<input type="checkbox"/> RH									
<input type="checkbox"/> LH										<input type="checkbox"/> LH									
<input type="checkbox"/> Flat and Shaped Arm Support ② (pad only)							<input type="checkbox"/> Inside/outside Contoured and Shaped Arm Supports ② (pad only)												
<input type="checkbox"/> Flat and Shaped Arm Support w/brackets							<input type="checkbox"/> Inside/outside Contoured and Shaped Arm Supports w/brackets												
		cm	XS	S	M	L	W _{RH}	W _{LH}			cm	XS	S	M	L	W _{RH}	W _{LH}		
		H	8	10	10	12			H	8	10	10	12		
		L	30	35	40	48			L	30	35	40	48		
		M	12	15	17	17			M	12	15	17	17		
Side		Type of Shape			Size			Side		Type of Shape			Size						
<input type="checkbox"/> RH		<input type="radio"/> palmar <input type="radio"/> elbow						<input type="checkbox"/> RH		<input type="radio"/> palmar <input type="radio"/> elbow									
<input type="checkbox"/> LH		<input type="radio"/> palmar <input type="radio"/> elbow						<input type="checkbox"/> LH		<input type="radio"/> palmar <input type="radio"/> elbow									

Wooden Tray																	
<input type="checkbox"/> Ergonomic							with Hardware			<input type="checkbox"/> w/lateral flip				Type of hardware			
										<input type="checkbox"/> detachable							
<input type="checkbox"/> Rectangular							with Hardware			<input type="checkbox"/> w/lateral flip							
										<input type="checkbox"/> detachable							
Padding <input type="checkbox"/> in black leatherette <input type="checkbox"/> in blue leatherette																	
<input type="checkbox"/> Outer Edge																	
ergonomic tray dimensions							rectangular tray dimensions										
		Size cm	<input type="checkbox"/> US	<input type="checkbox"/> P	<input type="checkbox"/> M	<input type="checkbox"/> G			Size cm	<input type="checkbox"/> US	<input type="checkbox"/> P	<input type="checkbox"/> M	<input type="checkbox"/> G				
		P	47	53	58	66			P	45	50	55	63				
		L	58	69	75	86			L	56	66	71	82				
		B	35	42	49	55			B	35	42	48	55				
		A	17	19	21	24			A	17	19	21	24				

Pelvic Belt (w/2 adjustments Versa-Fixatis) (for other models please see Fixatis Range order form)						
		cm	<input type="checkbox"/> XS	<input type="checkbox"/> S	<input type="checkbox"/> M	<input type="checkbox"/> L
Plastic buckle closure		H (pad height)	4.5	5.5	7	7
		L (pad length)	12	17	22	27
<input type="checkbox"/> Basket						
<input type="checkbox"/> Rain cover						
Foot Muff <input type="checkbox"/> Blue <input type="checkbox"/> Pink <input type="checkbox"/> Grey <input type="checkbox"/> Bordeaux						
Canopy adaptor included <input type="checkbox"/> Blue <input type="checkbox"/> Pink <input type="checkbox"/> Grey <input type="checkbox"/> Bordeaux Note: not available for size M1-L-XL						

FRAME DIMENSIONS AND FEATURES												
Load (kg)/ Frame Weight* (kg)	US	XXS	XS	XS0	XS1	S	M	M1	L	XL		
Rigid Frame	50/14.1	50/14.4	50/14.7	50/15.4	75/19.2	75/19.5	100/19.8	100/19.9	100/20.1	100/20.3		
Folding Frame	50/14.9	50/15.3	50/15.6	50/15.9	75/19.5	75/19.9	75/20.2	75/20.3	75/20.5	75/20.8		
* Weight of the frame, including knee angle and footplates as per standard configuration												
Overall dimensions (cm) of the frame with backrest tubes (fixed) folded down, footrest and posterior wheels detached												
Size	US	XXS	XS	XS0	XS1	S	M	M1	L	XL		
Length	66	66	68	68	71	73	83	83	73	83		
Width	C	30	30	30	30	30	32	32	32	32		
	R	42	48	48	51	51	54	54	57	60		
Height	65	65	66	66	67	67	68	68	67	68		
Weight (kg)	R	11.4	11.7	12	12.7	12.9	13.1	13.5	13.6	13.8		
	C	12.2	12.6	12.9	13.2	13.3	13.6	13.9	14	14.5		
Note: The length dimensions, referred to the average values, are subjected to the variations due to the displacement of the wheel plates. The values reported are intended for the standard configuration.												
Width (cm)												
300mm wheel	standard	48	53	53	56	56	59	59	62	65	65	
	w/drum brake	49	54	54	57	57	60	60	63	66	66	
400/500mm wheel	standard	50	55	55	58	58	61	61	64	67	67	
	w/drum brake	53	58	58	61	61	64	64	67	70	70	
600mm wheel	/	/	55	55	58	58	61	61	64	67	67	
Pivot Width (cm)		69	69	72	75	75	75	78	78	75	78	
Q*(min-max) Height Seat rail to footplate (cm)		13-23	13-23	13-26	13-26	28-36	28-36	32-40	32-40	28-36	32-40	
H** Seat rail to floor (cm)		43-49 with 300/500mm wheels and 150/175mm castors 45 with 400mm wheels and 150/175mm castors 47 with 600mm wheels and 150mm castors										
Max Slope		7°										
Note: *The value Q, referred to 90° footrest hanger, can be increased of about 5-7 cm by using the 75° hanger **The value H has been detected outside the seat tube at the plate of the tilt mechanism; the frame will be delivered with H=43 cm												
Length (cm)												
300mm wheel	Without Knee angle	L	70	70	73	73	75	75	78	78	75	78
	75° Knee Angle	L _{min} /L _{max}	92/99	92/99	93/100	93/100	97/104	97/104	100/107	100/107	97/104	100/107
	90° Knee Angle	L _{min} /L _{max}	88/96	88/96	91/99	91/99	93/100	93/100	96/103	96/103	93/100	96/103
400mm wheel	Without Knee angle	L	74	74	77	77	79	79	82	82	79	82
	75° Knee Angle	L _{min} /L _{max}	95/101	95/101	96/103	96/103	100/107	100/107	103/110	103/110	100/107	103/110
	90° Knee Angle	L _{min} /L _{max}	93/99	93/99	94/100	94/100	96/102	96/102	99/104	99/104	96/102	99/104
500mm wheel	Without Knee angle	L	78	78	81	81	84	84	87	87	84	87
	75° Knee Angle	L _{min} /L _{max}	98/103	98/103	99/107	99/107	103/113	103/113	106/116	106/116	103/113	106/116
	90° Knee Angle	L _{min} /L _{max}	95/101	95/101	97/102	97/102	100/106	100/106	103/109	103/109	100/106	103/109
600mm wheel	Without Knee angle	L	/	83	84	84	85	85	88	88	85	88
	75° Knee Angle	L _{min} /L _{max}	/	101/109	103/112	103/112	108/116	108/116	111/120	111/120	108/116	111/120
	90° Knee Angle	L _{min} /L _{max}	/	98/104	101/107	101/107	105/112	105/112	108/116	108/116	105/112	108/116
L = Length of the frame without knee angle joint mechanism; L _{min} = Length of the frame with knee angle joint mechanism and footplate positioned backward; L _{max} = Length of the frame with knee angle joint mechanism and footplate positioned forward Note: The length dimensions, referred to the average values, are subjected to variations due to the displacement of the wheel plates. The values reported are intended for the standard configuration.												

