






TITTI Integrated Positioning System



-  **Easy to handle**
-  **Modifiable**
-  **Versatile**
-  **Lightweight**
-  **Safe**



*The perfect solution for
children and teenagers*



Materials

- **Modular frame** made of anodised satin aluminum, with no welds.
- **Backrest** composed by a high strength aluminum shell, a kit of polyethylene inserts with cushioning properties, padding consisting of two layers of foam polymeric self-modeling and reticulated, a lining of microclimatic fabric ventilated and stretchable.
- **Cushion** with flat base and kit of polyethylene inserts with cushioning properties, free shape foam padding kit composed by very high performing anti-decubitus and viscoelastic foams and the new 3D cover, air exchange, incontinent, not flammable and antibacterial.

Standard Configuration:

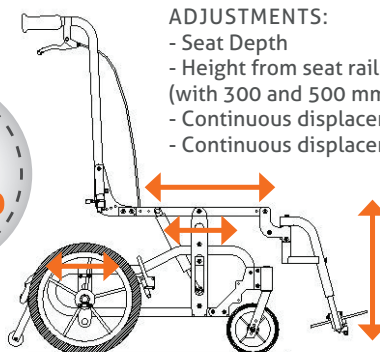
- Adacta Liga Light tilt in space positioning frame rigid or folding
- Multi-adjustable footplates with detachable leg support with 90° fixed knee angle
- Modular Pelvic cushion INSERTO SEAT BASICO
- Modular Trunk backrest INSERTO BACK EFFECTO LATO
- Pelvic Hip guides
- Padded arm supports
- Versa Capitis Comfort headrest
- Versa Fixatis pelvic belt with 2 attaching points 2 adjustments and lateral squeeze plastic buckle closure
- Fixed push handles kit
- Parking brake lever
- Reclining mechanism by predetermined plate w/pin 3°, 9°, 15°, 22°
- Fixed Anti-tip system
- Continuous tilt in space from 2° up to 35° (from 6° up to 39°)^①
 - ① Tilt in space can be up-graded of 4° with increment of the starting inclination of the frame by operating on the positioning holes of the casters forks
- Wooden rigid base leather flex covered

Clinical information / Destination of use

Ideal for **Children and Teenagers** affected by low, medium and high postural control as results of several pathologies. **Titti** through the combination of **Adacta Liga Light** with **Inserto cushion and backrest**, allows customisation and adjustments during the **assessment, delivery and after-delivery follow-ups**, to all patients affected by leg length discrepancies, wind swept, pelvic obliquity, anterior/posterior pelvis tilt even combined and/or related to scoliosis, lordosis and kyphosis. **TITTI** is intended for personal use both indoor and outdoor and has to be used under the supervision of an attendant.



"A CHOICE OF SAFETY"



ADJUSTMENTS:

- Seat Depth
- Height from seat rails to floor 43cm /49cm (with 300 and 500 mm wheels)
- Continuous displacement of the wheels plates
- Continuous displacement of the upper frame

Guide to the choice of the Postural Equipment

Intensity of postural support



Intensity of postural support



Optional Parts:

(With or without up-charge. Please refer to the Order Form)

- Castors: 150 mm o 6" poly, 175 mm o 7" poly
- Posterior Wheels:
 - 300 mm o 12" (poly or pneumatic, poly or pneumatic with drum brake, poly or pneumatic with drum brake + lever)
 - 400 mm o 16" (poly or poly with drum brake only 45 cm height)
 - 500 mm o 20" (poly or pneumatic without handrims, pneumatic with handrims and drum brake, pneumatic with handrims and drum brake + lever)
 - 600 mm o 24" (pneumatic with handrims, not available on size US)
- NOTE: The tilt in space is reduced to 20°, only 47 cm height)
- handrims for 500 mm o 20"
- Knee Angle 75° o elevating
- Push handles kit height adjustable by pin
- Telescopic push handles kit with lever lock
- Adjustable reclining single handlebar kit for rigid frame
- Telescopic and adjustable angle handlebar kit
- Quick-release pins for easier backrest inclination
- Adjustable handlebar kit for folding frame
- Kit of ABS laterals
- Modular Pelvic Cushion Versa Inserto Seat Mediano or Domino
- Modular Trunk Backrest Versa Inserto Back Supporto
- Detachable anti-tip system

Accessories:

- Versa Fixatis dynamic butterfly harness
- Versa Tray
- Separate Calf Supports swing-away
- Detachable Abduction Block
- Padded calf strap
- Vehicle transportation kit (available only with 300mm and 500mm posterior wheels)
- Thoracic supports for Versa Inserto Back EFFECTO LATO and SUPPORTO backrest
- Pedal for barriers

For the complete list of the optional parts and/or accessories, please refer to the latest order form in force. For partially sighted users this document can be visualized in PDF format on the web site www.promedicare.eu with the possibility to enlarge the next.

Technical Information

TITTI SIZE	MAX LOAD Values expressed in kg	FRAME WEIGHT Values expressed in kg	PIVOT WIDTH (cm)	MAXIMUM OVERALL DIMENSIONS IN WIDTH/LENGTH * values expressed in cm							
				300mm Wheels		400mm Wheels		500mm Wheels		600mm Wheels	
				Standard	w/drum brake	Standard	w/drum brake	Standard	w/drum brake		
US	Rigid	50	14.1	69	48/96	49/96	50/99	53/99	50/101	53/101	/
	Folding	50	14.9								
XXS	Rigid	50	14.4	69	53/96	54/96	55/99	58/99	55/101	58/101	55/104
	Folding	50	15.3								
XS	Rigid	50	14.7	72	53/99	54/99	55/100	58/100	55/102	58/102	55/107
	Folding	50	15.6								
XSO	Rigid	50	15.4	75	56/99	57/99	58/100	61/100	58/102	61/102	58/107
	Folding	50	15.9								

Maximum slope 7°

Note: Frame weight only with wheels, knee angle and footrest as standard configuration. The length dimensions, referred to the average values, are subjected to variations due to the displacement of the wheel plates. The values reported are intended for the standard configuration.

* with 90° knee angle and footrest positioned forwards

The device can be disassembled without the use of specific tools. It can be transported in the car or in the plane. It can be used as seat in a vehicle, provided that this one is equipped of transportation kit adaptations for people with disabilities.

TITTI SIZE	USER PARAMETERS		DEPTH ADJUSTMENT OF THE FRAME (cm)	CUSHION SIZE (width x depth) (cm)	SUPPORTO BACK SIZES (cm)				EFFECTO LATO BACK SIZES (cm)			
	Pelvis Width (cm)	Seat Depth (cm)			Backrest	Height	Shell Width	Trunk Width	Backrest	Height	Shell Width	Trunk Width
US	20-30	28-38	da 36 a 44	30x38	3033	33	27	17-23	3033	33	30	w/bracket A 18-28 w/bracket B 13-23
XXS	26-36	28-38	da 36 a 44	36x38	3336	36	30	20-26	3338	38	33	w/bracket A 21-31 w/bracket B 16-26
XS	26-36	32-42	da 40 a 48	36x42	3640	40	33	23-29	3642	42	36	w/bracket A 24-34 w/bracket B 19-29
XSO	29-39	34-44	da 40 a 48	39x45	3944	44	36	26-34	3945	45	39	w/bracket A 27-37 w/bracket B 22-32

Maximum weight and overall dimensions of the frame without postural system, backrest (fixed) tubes folded down, footrests and wheels detached.

TITTI SIZE	FRAME WEIGHT kg	MAXIMUM OVERALL DIMENSIONS - values expressed in cm		
		Width	Length	Height
US	Rigid	11.4	42	66
	Folding	12.2	30	
XXS	Rigid	11.7	48	66
	Folding	12.6	30	
XS	Rigid	12	48	68
	Folding	12.9	30	
XSO	Rigid	12.7	51	68
	Folding	13.2	30	

Manufactured and Distributed by:



Via Montagna Z.I. Lotto 41
72023 Mesagne (Br) - ITALY
Tel. +39 0831 777840 - Fax. +39 0831 730739
Website: www.promedicare.eu - Email: info@promedicare.it

C.at.Ver.Tit. EN Rev.6 09/2022

CERTIFIED COMPANY WITH QUALITY
MANAGEMENT SYSTEM ISO 9001/ISO 13485



ISO 9001
ISO 13485
BUREAU VERITAS
Certification



www.promedicare.eu

The producer reserves the right to make changes without notice. The contents, the form, the design, the image, the structure of this catalogue are property of Pro Medicare s.r.l. Any improper or unauthorised use is strictly forbidden. Any imitation and/or explicit or not-explicit copy can be pursued by the Law.

CE 2 Years Warranty